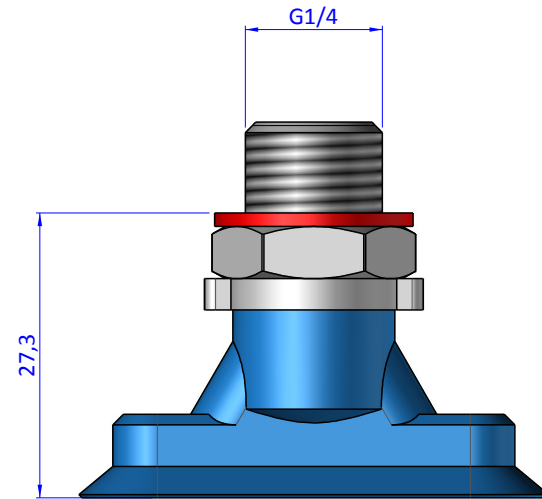
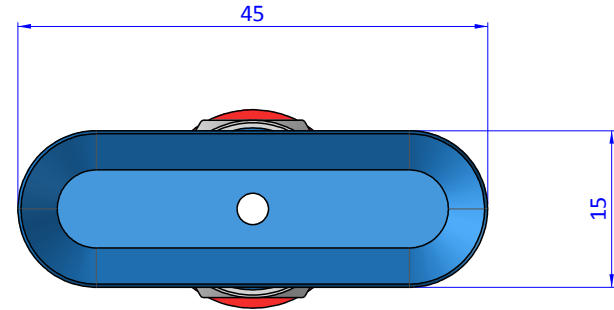
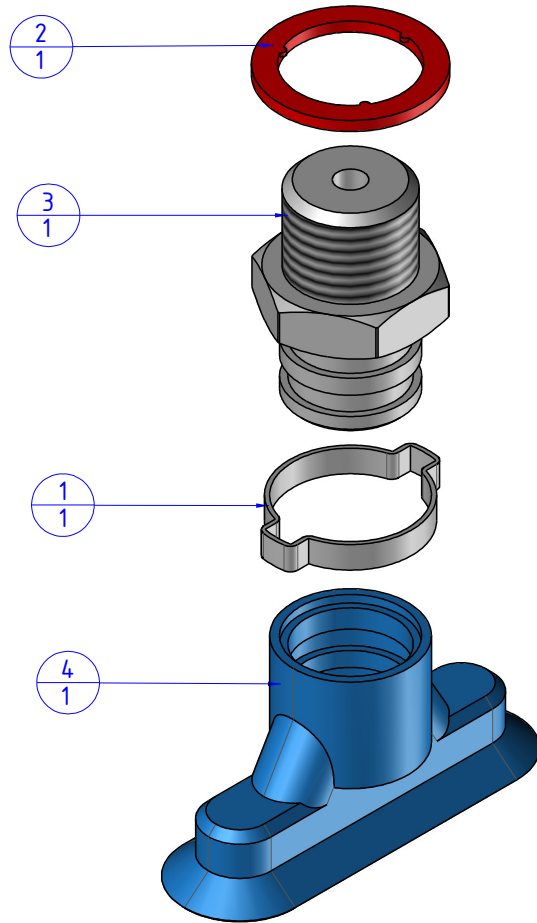



THE PROPERTY OF THE DRAWING IS ESTABLISHED BY LAW. IT IS FORBIDDEN TO PRODUCE OR SHOW IT TO THIRD PARTY, WITHOUT A WRITTEN AGREEMENT.

Item	Name	Q.ty
1	10.07.10.00033.D15	1
2	CA.08.09.14	1
3	CA.08.09.041	1
4	CA.08.39.006	1



Format A3

UNI 936-76

 FPS SERVICES AUTOMATION		DESIGNED FROM		REVIEW
		FPS Automation		A
GENERAL TOLERANCE		DATE	WEIGHT	
UNI - ISO 2768		21/03/2019	0,011kg	
CLASSE f		CODE		
		KIT.08.39.L45.41		KIT.08.39.L45.41